

K-RIB VENTILATION

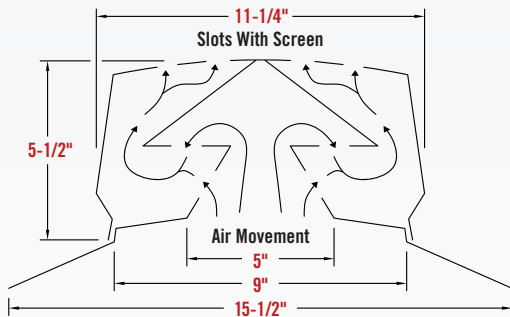
Our K-Rib products include a complete ventilation system designed to protect the integrity of your building. It systematically regulates airflow to control temperatures, decrease moisture buildup and increase the wear life of the roof.



ROOFLINE RIDGOLATORS

PRODUCT DESCRIPTION	PACKAGING PER CTN.	WEIGHT PER PIECE
ROOFLINE RIDGOLATOR II – 10'	2 PC.	31.00 LB.
ROOFLINE RIDGOLATOR IV – 10'	1 PC.	28.00 LB.

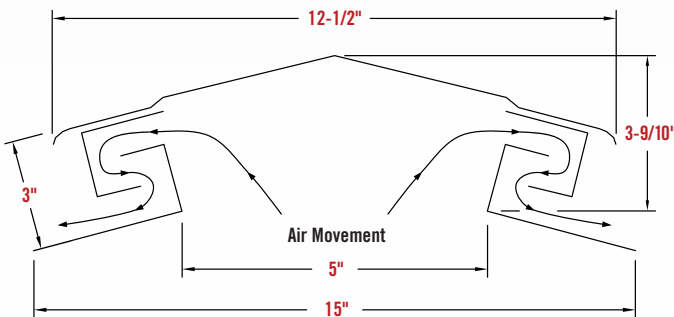
ROOFLINE II



400-Sq.-In. Free Air Space

Manufactured to a 4:12 pitch; adjusts from 2:12 to 5:12

ROOFLINE IV



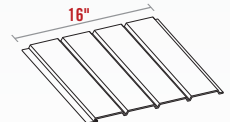
221-Sq.-In. Free Air Space

Manufactured to a 4:12 pitch; adjusts from 2:12 to 8:12

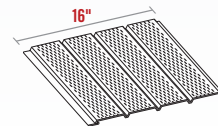
K-RIB SOFFIT

- Available in solid (non-vented), full vent and center vent
- Soffit panels are 16" wide and 3/8" deep
- Pre-cut lengths are 11-3/4", 23-3/4" or 12' pieces for self-cutting lengths
- Conveniently packaged 12 pieces per carton
- Full-vented soffit has 12.96 sq. in. of free air space per lineal foot
- Center-vented soffit has 6.48 sq. in. of free air space per lineal foot
- 40-year paint warranty
- Colors to match all standard K-Rib roofing and siding colors; many of our colors also match other brands of roofing and siding
- Can be shipped on drop shipments to dealers of qualified stocking distributors
- Complete line of complementing steel trim pieces available

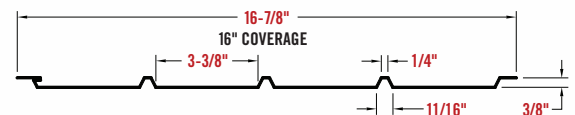
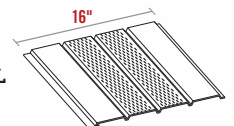
SOLID SOFFIT PANEL



FULL-VENT SOFFIT PANEL



CENTER-VENT SOFFIT PANEL



All colors are intended only as an approximation of the actual color. Color chips are available upon request.

WWW.KLAUER.COM

1185 Roosevelt Ext.
PO Box 59
Dubuque, IA 52004-0059
(563) 582.7201